



Apricum® AS

FLOODLIGHTS



Applications



Sign Boards



Bridges



Facade Lighting

Description

Apricum AS LED Floodlight uses EPISTAR COB LED for outdoor applications. Housing is made of die-casted aluminum with powder coating. Luminaire uses tempered glass with transparency rate.

EPISTAR

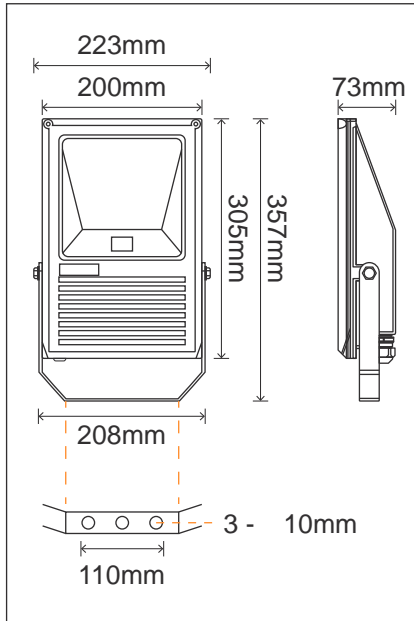


Product Features

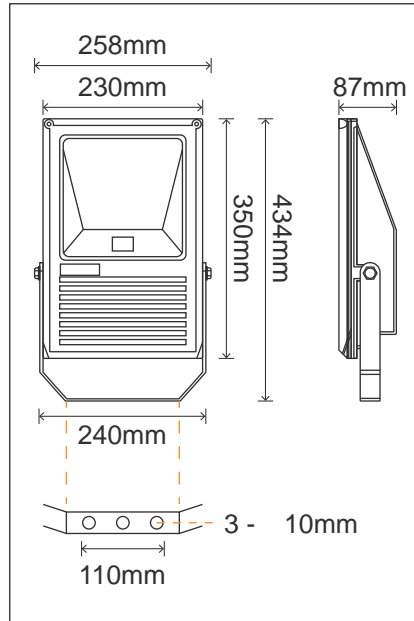
- EPISTAR COB LED
- DuLight or MEANWELL LED driver
- High purity aluminum reflector
- 180° adjustable steel bracket
- Slim and stylish design
- Working temperature: -40° to 60°C
- IP rating: IP65
- Life-span: 30,000 - 50,000 hours

Dimensions

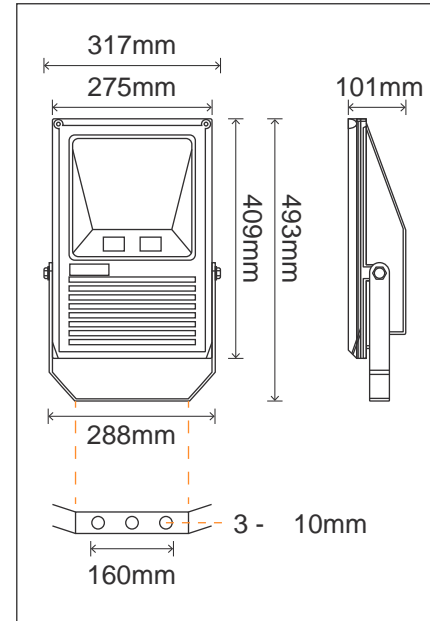
DUAPAS-30



DUAPAS-50

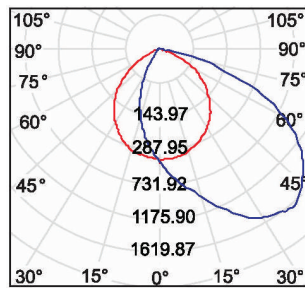


DUAPAS-80 / DUAPAS-100

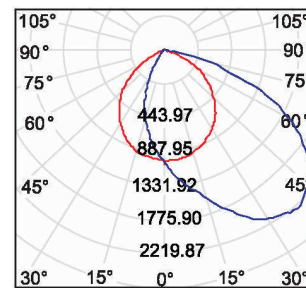


Floodlights

Photometric Diagrams



DUAPAS-30



DUAPAS-50

Technical Specifications

Model	Power [W]	LED type	Luminous flux [lm]	Luminous efficacy [lm/W]	CCT [K]	Beam angle	CRI [Ra]	EAN
DUAPAS-30	30	COB	2400	80	3000	45°	> 75	6290112000454
DUAPAS-50	50		4000					6290112000461
DUAPAS-80	80		6400					6290112000478
DUAPAS-100	100		8000					6290112000485

Electrical Specifications

Rated Supply Voltage	220-240V
Input Voltage	100-240V _{ac}
Frequency	50/60Hz